

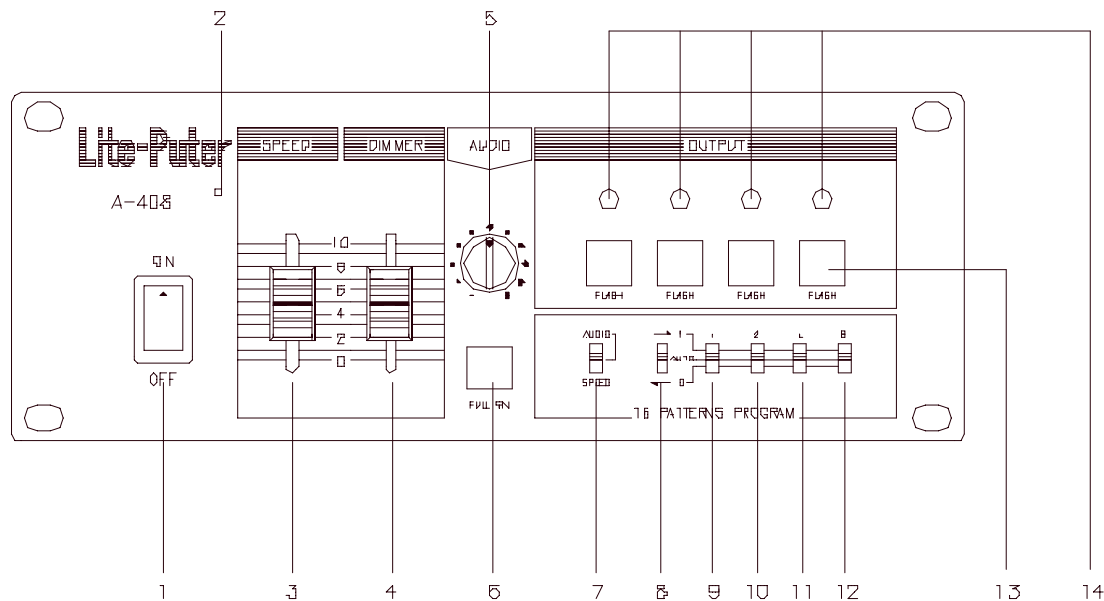
A-408 (T6)

4 channels Dimming Chaser

Main features:

1. 4 channel dimming chaser. 8A per channel. Total 15a(max).
2. Sudden current protection.
3. 4 channel chasing: chasing speed adjustable.
4. Sound to light effect controlled. By inside microphone.
5. Audio sensitivity adjustable for best chasing effect.
6. Zero-crossing circuit operation-suitable for transformer load.
7. Very easy to install -plug in for both power and lighting equipment.
8. For disco and family party, KTV & school.

Controls & Components (front view)



- 1) POWER SWITCH: Turn the unit on or off and reset the protection circuit.
- 2) MICROPHONE.
- 3) SPEED CONTROL
- 4) DIMMER CONTROL.
- 5) MUSIC CONTROL SENSITIVITY.
- 6) FULL-ON BUTTON: Whenever press it, all 4 CH. lights would be "on"; it would come back to normal chasing automatically if your finger is out.
- 7) AUDIO / SPEED select switch.
- 8) FORWARD / AUTO / REVERSE: Direction control switch.
- 9) PROGRAM SWITCH 1: 3-section switch: up-1, central-auto, down-0.
- 10) PROGRAM SWITCH 2: 3-section switch: up-1, central-auto, down-0.
- 11) PROGRAM SWITCH 4: 3-section switch: up-1, central-auto, down-0.
- 12) PROGRAM SWITCH 8: 3-section switch: up-1, central-auto, down-0.
- 13) FLASH BUTTON
- 14) LED INDICATOR : 1 - 4 CH. output indicator.

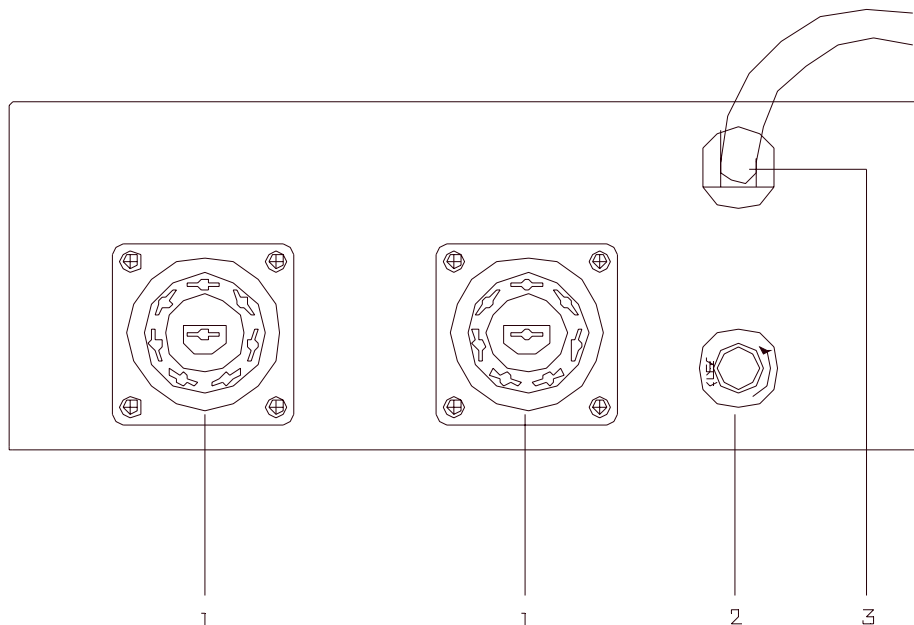
Specification:

- POWER INPUT : 220VAC - 240VAC
- LOAD : 8 A per channel (MAX), total 15A.
- DIMENSION : 240 x 88 x 76 mm (H.W.D.)

Program:

PROGRAM SWITCH	1				2				3				4			
PATTERN	1	2	3	4	5	6	7	8	9	10	11	12	13	14	15	16
STEP1	●○○○	●○○○	●○○○	●○○○	●○○○	●○○○	●○○○	●○○○	●○○○	●○○○	●○○○	●○○○	●○○○	●○○○	●○○○	●○○○
STEP2	○○○○	○○○○	○○○○	○○○○	○○○○	○○○○	○○○○	○○○○	○○○○	○○○○	○○○○	○○○○	○○○○	○○○○	○○○○	○○○○
STEP3	○●○○	○●○○	○●○○	○●○○	○●○○	○●○○	○●○○	○●○○	○●○○	○●○○	○●○○	○●○○	○●○○	○●○○	○●○○	○●○○
STEP4	○○○○	○○○○	○○○○	○○○○	○○○○	○○○○	○○○○	○○○○	○○○○	○○○○	○○○○	○○○○	○○○○	○○○○	○○○○	○○○○
STEP5	○○○●	○○○●	○○○●	○○○●	○○○●	○○○●	○○○●	○○○●	○○○●	○○○●	○○○●	○○○●	○○○●	○○○●	○○○●	○○○●
STEP6	○○○○	○○○○	○○○○	○○○○	○○○○	○○○○	○○○○	○○○○	○○○○	○○○○	○○○○	○○○○	○○○○	○○○○	○○○○	○○○○
STEP7	○○○●	○○○●	○○○●	○○○●	○○○●	○○○●	○○○●	○○○●	○○○●	○○○●	○○○●	○○○●	○○○●	○○○●	○○○●	○○○●
STEP8	○○○○	○○○○	○○○○	○○○○	○○○○	○○○○	○○○○	○○○○	○○○○	○○○○	○○○○	○○○○	○○○○	○○○○	○○○○	○○○○

A-408 offers 16 patterns, to be operated by 4 program switches. Each pattern can be controlled to forward or reverse direction and each pattern is available with 8 steps in circulation for a chasing effect. Central is for auto. E.g. put program switch 1 on the would appear by auto turns; in case of all switches put on "AUTO", every one of the 16 patterns would come out by turns. SPEED CONTROL KNOB is for chasing speed. If "AUDIO" switch is on the position of "1", the speed control is invalid and the music control works. Whatever the "FULL ON" button is on, the whole 4-CH would light at the same time.



Controls & Components: (rear view)

1) POWER OUTPUT :

- | | |
|------------|------------|
| Pin 1: E | Pin 2: CH1 |
| Pin 3: CH2 | Pin 4: CH3 |
| Pin 5: CH4 | Pin 6: NC |
| Pin 7: N | Pin 8: N |

2) FUSE: 15A

3) POWER INPUT: AC power input, 220VAC -240VAC.

