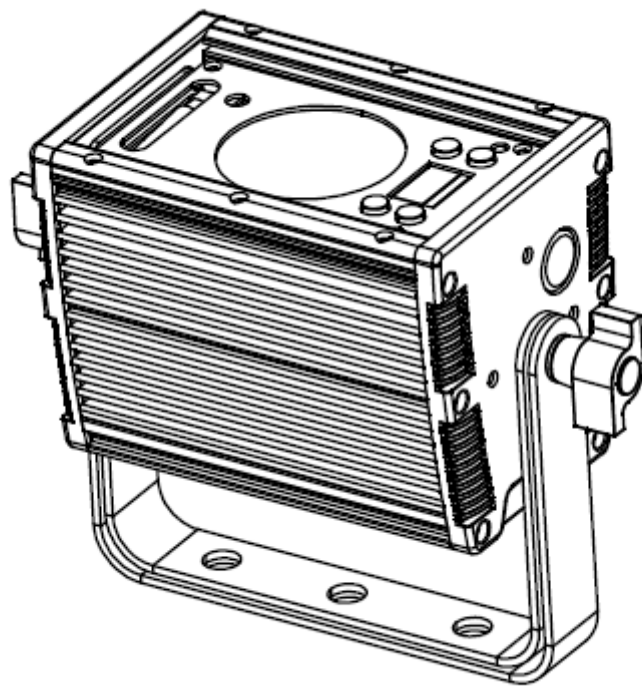


USER MANUAL

LEAD PACK 1



LCG-2501WB

(1x25W-RGBAW-BAT-WI 5-in-1)

Catalogue

1. Summary.....	3
2. Safety Instruction.....	4
3. Outside Size Picture	5
4. Main Function.....	7
5. DMX Control Function.....	8
6. Display Operation instruction	10
7. Instruction for compatible Sweden DMX wireless module.....	16
8. Infrared keyboard operation.....	16
9. AOperating Control Instruction.....	18
10. XLR cable connecting	18
11. Trouble Shooting.....	19

Please read over this manual before operating the light

1. Summary

➤ **Summary**

- Thank you for purchasing our LEAD PACK 1. Please read these instructions carefully before begin and operate the fixtures according to these instructions to avoid any possible damages and accidents causes by misusage

➤ **Product introduction**

LED LEAD PACK 1 light uses casting aluminum housing, designed in a fashion of hydrodynamic form. Appearance shows. It adopts high power 5-in-1 LED, which refers to single LED is made of R,G,B,A,W 5-IN-1 LED, And long life span, low consumption, good color mixing effect and high brightness are the most prominent features. Each kind of LED can be independently dimmed. The built-in program includes dimming, strobe, eotic, gradual change, fading and so on. It uses power switch, performs low weight and consumption, stable capability and long life. International standard DMX 512 signal is requested.

➤ **Packing List**

- LEAD PACK 1 1 PC
- DMX Signal Cable 1 Set
- Power cable 1 PC
- User Manual
- Warranty Card
- IP Remote Control

2. Safety Instruction

➤ Safety Notes

! Enquire the skilled people before any repair;

! Always make sure disconnect from the power source before setting up, serving and moving;.

! Avoid direct eye exposure to the fixture when it is on;



instruction

- Make sure the power supply voltage are consistent with this lights, Ensure the use of voltage is in the range of the request technical parameter.
- Before the installation, please check the light's fasteners and mechanical structure have been received in good condition and appear no damage.
- This light is designed for indoor use; working temperature is lower than 40 degree.
- The fixtures maybe mounted in any position provided there is adequate room for ventilation. Make sure there are no inflammable and explosive items (ornaments) in 0.5 meters away.
- Yellow / green cabling earthling safety; no flicker when the fixture is working on.

3. Outside Size Picture

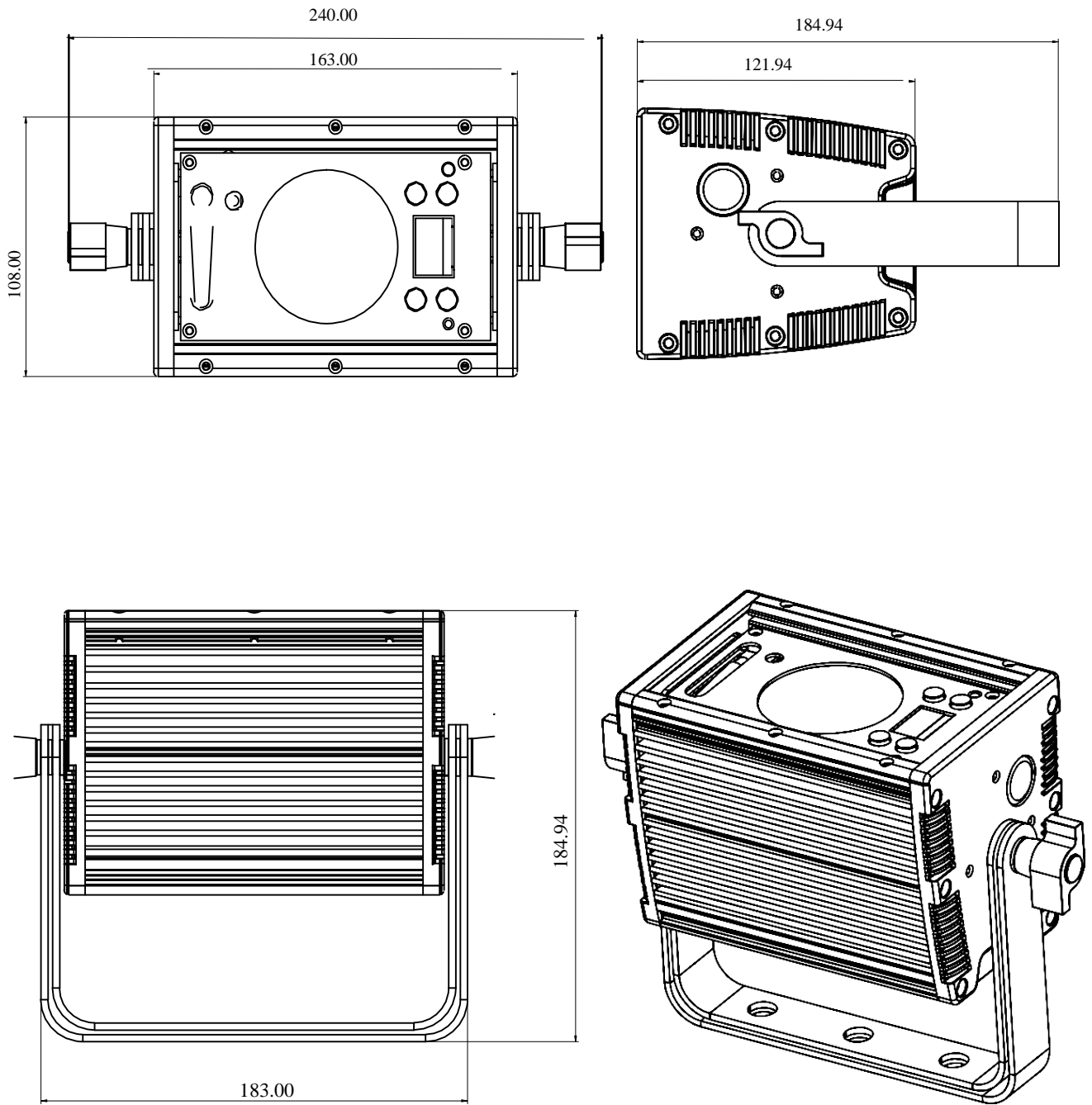
Figure 1: LEAD PACK 1 Picture



Figure 2: The Rear Connections



Figure 3: The Outside Size Picture



4. Main Function

- Input voltage: AC 100V-264V/47-63HZ
- Power consumption: 28W
- Lamp Type: 25W LED 5-in-1 R、G、B、A、W(1PCS) COB LED
- Life span: 50000~100000hours
- PWM Dimmer: 1500HZ(16666 grades)
- Control Signal: DMX512
- Infrared keyboard control
- 2.4G wireless DMX receiver: WI-DMX & Sweden
- Channel: 11CH/8CH/6CH/5CH
- Function Effect: dimmer, strobe, gradual change
- Touch buttons, automatic lock key
- Battery charge time:5 hours
- Full power battery duration:2.5 hours
- Cooling mode: Natural Convection
- Anti-electricity intension: 1.5KV
- Insulation Resistance:>2MΩ
- Beam Angle: 25°(15°,45° or 60° Optional)
- Weigh2.44Kg

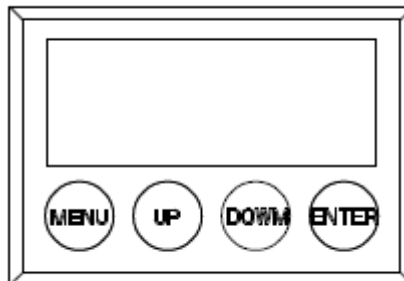
5. DMX Control Function

➤ DMX Channels

5CH	6CH	8CH	11CH	Value	Function
-	CH1	CH1	CH1	0-255	Dim all
CH1	CH2	CH2	CH2	0-255	R
CH2	CH3	CH3	CH3	0-255	G
CH3	CH4	CH4	CH4	0-255	B
CH4	CH5	CH5	CH5	0-255	A
CH5	CH6	CH6	CH6	0-255	W
-	-	CH7	CH7	0-5	No strobe
				6-115	Normal strobe(slow to fast)
				116-130	No strobe
				131-170	Electronic Sine wave(slow to fast)
				171-210	Opening pulse(slow to fast)
				211-250	Closing pulse(slow to fast)
				251-255	No strobe
-	-	-	CH8(CH8 Prior to CH10)	0-5	No effect
				6-10	CT01(Call custom color in menu settint)
				11-15	CT02
				16-20	CT03
				21-25	CT04
				26-30	CT05
				31-35	CT06
				36-40	CT07
				41-45	CT08
				46-50	CT09
				51-55	CT10
				56-60	AUTO 1(R,G,B,RG,RB,GB)
				61-65	AUTO 2(R ↑ ,R ↓ ,G ↑ ,G ↓ ,B ↑ ,B ↓ ,A ↑ ,A ↓ ,W ↑ ,W ↓)
				66-70	AUTO 3(R ↑ G ↑ ,R ↓ G ↓ ,R ↑ B ↑ ,R ↓ B ↓ ,B ↑ G ↑ ,B ↓ G ↓)
				71-75	AUTO 4(R ↑ G ↑ B ↑ W ↑ ,R ↓ G ↓ B ↓ W ↓)
				76-80	AUTO 5(Rainbow effect: B,BG ↑ ,BG,B ↓ G,G,GR ↑ ,GR,G ↓ R,R,RB ↑ ,RB,R ↓ B)
				81-220	Reserved
				221-225	CHASE1
				226-230	CHASE2
				231-235	CHASE3
236-255	Reserved				
-	-	-	CH9	0-255	Auto speed, fast->slow
-	-	-	CH10		Virtual color wheel

				0-10	No effect
				11	Blue (Blue=full, Red+Green+White=0)(step)
				12-50	Red=0, Green->up, Blue =full, White=0(proportional)
				51	Light Blue (Red=0, Green=full, Blue =full, White=0)(step)
				52-90	Red=0, Green=full, Blue->down, White=0(proportional)
				91	Green (Red=0, Green=full, Blue =0, White=0)(step)
				92-130	Red->up, Green=full, Blue=0, White=0(proportional)
				131	Yellow (Red=full, Green=full, Blue=0, White=0)(step)
				132-170	Red=full, Green->down, Blue=0, White=0(proportional)
				171	Red(Red=full, Green=0, Blue=0, White=0)(step)
				172-210	Red=full, Green=0, Blue->up, White=0(proportional)
				211	Magenta (Red=full, Green=0, Blue=full, White=0)(step)
				212-250	Red -> down, Green=0, Blue=full, White=0(proportional)
				251-255	Blue (Red=0, Green=0, Blue=full, White=0)(step)
-	-	CH8	CH11	0-10	Use the dimmer mode which menu had set up
				11-20	Linear curve
				21-30	Square law curve
				31-40	Inverse square law curve
				41-50	S-curve
				51-60	Linear curve and smooth
				61-70	Square law curve and smooth
				71-80	Inverse square law curve and smooth
				81-90	S-curve and smooth
				91-255	Use the dimmer mode which menu had set up

6. Display Operation instruction



- MENU : access the menu or return to a previous menu option
- ENTER: select the current menu option
- UP: menu selection or parameter increments
- DOWN: menu selection or parameters decrease

Menu Tree

TAB	LEVEL1	LEVEL2	LEVEL3	LEVEL4	
ADDR(Address)	001-512				
STAT(Static control)	R	<u>Q</u> -255 *			
	G	<u>Q</u> -255 *			
	B	<u>Q</u> -255 *			
	A	<u>Q</u> -255 *			
	W	<u>Q</u> -255 *			
	SHUT	<u>Q</u> -255 *			
	SET(Set)	WIRE(Wireless set)	REST(reset)	YES/NO	
		KEY			
BAT(battery output)		<u>HIGH</u> /MIDDLE/LOW			
CAL(Calibration)		R	0- <u>255</u>		
		G	0- <u>255</u>		
		B	0- <u>255</u>		
		A	0- <u>255</u>		
		W	0- <u>255</u>		
		USE	YES/NO		
		CHMD(Channel mode)	<u>11CH</u>		
			8CH		
			6CH		

LEAD PACK 1(LCG-2501WB)-User Manual

		5CH		
	DIM(Dimming mode)	LIN(linear)/SQR(square law)/ISQR(inverse square law)/SCUR(S-curve)/LIN.(linear smooth)/ <u>SQR</u> .(square law smooth)/ISQR.(inverse square law smooth)/SCUR.(S-curve smooth)		
	LOCK	YES/NO		
CTST(Custom color set)	CT01	R	0-255	
	.	G	0-255	
	.	B	0-255	
	.	A	0-255	
	.	W	0-255	
	CT10			
AUTO(Auto)	AT01	RUN.. *		
	.	RUN.. *		
	.	RUN.. *		
	.	RUN.. *		
	AT05	RUN.. *		
	ATSP(Auto speed)	0-255(S)		
	CHS1 (Chase 1)	RUN.. *		
	CHS2 (Chase 2)	RUN.. *		
	CHS3 (Chase 3)	RUN.. *		
PROG (Program)	CHS1 (Chase 1)	SC01 (Scene 1)	R	0-255
	.	.	G	0-255
	.	.	B	0-255
	.	.	A	0-255
	.	.	W	0-255
	.	.	SHUT	0-255
	.	.	AUTO	NONE,AT01-AT05
	.	.	ATSP	0-255(S)
	.	.	TIME	0-255(S)
	.	.	WAIT	0-25.5(S)
	.	.	USE	YES/NO
	.	SC25 (Scene 25)		
	CHS3 (Chase 3)			
INFO (Information)	SOFT(Software version)	Vx.x		
	BATTERY	0%-100%		

	POW(Power reduction)	xxx%		
LOAD(Load)	ST L (Setting load)	YES/NO		
	PR L (Program load)	YES/NO		

Instructions:

When enter to the “*” position displayed on the LED. When power cycle it will jump to the “*” position and running again. And in these position it will not return back to the default display after two minutes.

6.1 DMX ADDRESS SETTING

- 1) Press the **【ENTER】** button in **【ADDR】** menu, then enter to the DMX address setting.
- 2) Press the **【UP/DOWN】** button to select **【1-512】** numerical value.
- 3) Press the **【ENTER】** button to escape and save.

6.2 STATIC SETTING

- 1) Press the **【ENTER】** button in **【STAT】** menu, then enter to the static setting.
- 2) Press the **【UP/DOWN】** button to select **【RED】** , **【GREEN】** , **【BLUE】** , **【AMBER】** , **【WHITE】** and **【SHUT】** .
- 3) Press the **【UP/DOWN】** button to set up the **【0-255】** numerical value.
- 4) Press the **【ENTER】** button to escape and save.

6.3 Wireless set

- 1) Press the **【ENTER】** button in **【WIRE】** menu, then enter to the wireless set.
- 2) **【RESET】** Simulating the power outage of wireless module and then press the button to power on
- 3) **【KEY】** Similar to an external button

6.4 Battery output setting

- 1) Press the **【ENTER】** button in **【BAT】** menu, then enter to the Battery output setting.
- 2) Press the **【UP/DOWN】** button to select **【HIGH】** , **【MIDDLE】** , **【LOW】**
- 3) Press the **【ENTER】** button to escape and save.

6.5 COLOR CAST CALIBRATION SETTING

- 1) Press the **【ENTER】** button in **【CAL】** menu, then enter to the color cast calibration setting.
- 2) Press the **【UP/DOWN】** button to select **【RED】** , **【GREEN】** ... **【WHITE】**
- 3) Press the **【UP/DOWN】** button to set up the **【0-255】** numerical value.

- 4) On the **【USE】** interface, pressing **【YES】** button means valid, **【NO】** means invalid.
- 5) Press the **【ENTER】** button to escape and save.

Illustrations: When pressing the **【YES】** button which means valid on the **【USE】** interface, the actual output value of RED...WHITE is output in accordance with the percentage which the color cast calibration value divides 255.

6.6 CHANNEL MODE SETTING

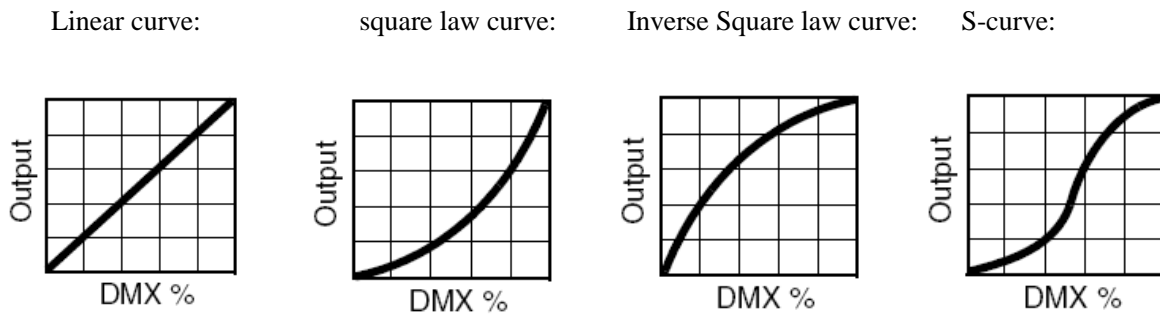
- 1) Press the **【ENTER】** button in **【CHMD】** menu, then enter to the channel mode setting.
- 2) Press the **【UP/DOWN】** button to select **【11CH】** , **【8CH】** , **【6CH】** , **【5CH】**
- 3) Press the **【ENTER】** button to escape and save.

6.7 DIMMING MODE SETTING

- 1) Press the **【ENTER】** button in **【DIM】** menu, then enter to the dimming mode setting.
- 2) Press the **【UP/DOWN】** button to select **【LIN】** , **【SQR】** , **【ISQR】** , **【SCUR】** , **【LIN.】** , **【SQR.】** , **【ISQR.】** and **【SCUR.】** .
- 3) Press the **【ENTER】** button to escape and save.

Illustrations: When setting **【LIN.】** , **【SQR.】** , **【ISQR.】** and **【SCUR.】** in **【DIM】** menu, there will be added a little delay dimming effect for smooth..

Dimming curve:



6.8 AUTO LOCK KEY SETTING

- 1) Press the **【ENTER】** button in **【LOCK】** menu, then enter auto lock key setting.
- 2) Press the **【UP/DOWN】** button to select **【YES】** , **【NO】**
- 3) Press the **【ENTER】** button to escape and save.

Instructions:

When set to [YES], it will lock automatically after two minutes to prevent accidental triggering flood flushing. When in the order press MENU->UP->DOWN->ENTER three times to unlock, and the time

between two keys be press down must within 2 seconds.

6.9 CUSTOM COLOR SETTING

- 1) Press the **【ENTER】** button in **【CTST】** menu, then enter to the custom color setting.
- 2) Press the **【UP/DOWN】** select **【CT01】** ... **【CT10】**
- 3) Press the **【UP/DOWN】** select **【R】** , **【G】** ... **【W】**
- 4) Press the **【UP/DOWN】** button to select **【1-255】** numerical value.
- 5) Press the **【ENTER】** button to escape and save.

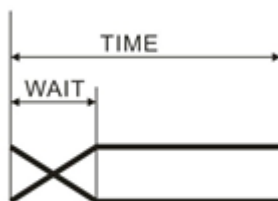
6.10 AUTO RUN, SELF-PROGRAM RUN

- 1) Press the **【ENTER】** button in **【AUTO】** menu, then enter to the auto run, self-program run.
- 2) Press the **【UP/DOWN】** button to select **【AT01】** ... **【AT05】** , **【AUTO SPEED】** , **【CHASE01】** ... **【SOUND2】**
- 3) Press the **【ENTER】** button to start running.

6.11 EDIT SELF-PROGRAM

- 1) Press the **【ENTER】** button in **【PROG】** menu, then enter to the edit self-program.
- 2) Press the **【UP/DOWN】** button to select **【CHASE01】** ... **【CHASE03】**
- 3) Press the **【ENTER】** button for confirmation and enter to the next menu.
- 4) Press the **【UP/DOWN】** button to select **【SCENE01】** ... **【SCENE20】**
- 5) Press the **【ENTER】** button for confirmation and enter to the next menu.
- 6) Then press the **【UP/DOWN】** button to select **【RED】** ... **【SHUT】** , **【TIME】** , **【WAIT】** , **【USE】**
- 7) Press the **【UP/DOWN】** button to set up the parameter which are needed.
- 8) Press the **【ENTER】** button to escape and save.

Illustrations: When **【USE】** is set to be **【NO】** , or the parameter of **【TIME】** is 0, it will not run this scene. When **【WAIT】** is set to be FADE time, the running process is as the following chart showing.



6.12 CHECK THE LIGHTING INFORMATION

- 1) Press the **【ENTER】** button in **【INFO】** menu, then enter to the checking the lighting information.
- 2) **【SOFT】** button is for software version information.
- 3) **【BAT】** is battery level from 0% to 100% .
- 4) **【POW】** button is for the current information of power reduction..

6.13 LIGHTING SETTING PARAMETER RESET

- 1) Press the **【ENTER】** button in **【ST L】** menu, then enter to the lighting setting parameter reset.
- 2) Press the **【UP/DOWN】** button to select **【YES】** .
- 3) Press the **【ENTER】** button to escape and save.

Illustrations: “ADDR” “CTST” and “PROG” are not reset, the others reset to the underlined value of the word.

6.14 【PROG】 SELF-PROGRAMMING PARAMETER RESET

- 1) Press the **【ENTER】** button in **【PR L】** menu, then enter to the **【PROG】** self-programming parameter reset.
- 2) Press the **【UP/DOWN】** button to select **【YES】** .
- 3) Press the **【ENTER】** button to escape and save.

7. Instruction for compatible Sweden DMX wireless module

1. Four mode to choose from, as bellow ;
 - 1) Green mode ; Sweden compatibility such as PR River PR-4500.
 - 2) Blue mode ; Sweden transmit compatible.
 - 3) Yellow mode ; Standard 2.4G compatible.
 - 4) Red mode ; Custom signal compatible such as WI-DMX.

- 2 . Red and Yellow mode have sub colors to choose from as bellow ;
 - 1) RED---(Red / Green / Blue / Yellow / pale Blue / Pink)
 - 2) Yellow---(Red / Green / Blue / Yellow / pale Blue / Pink and White)

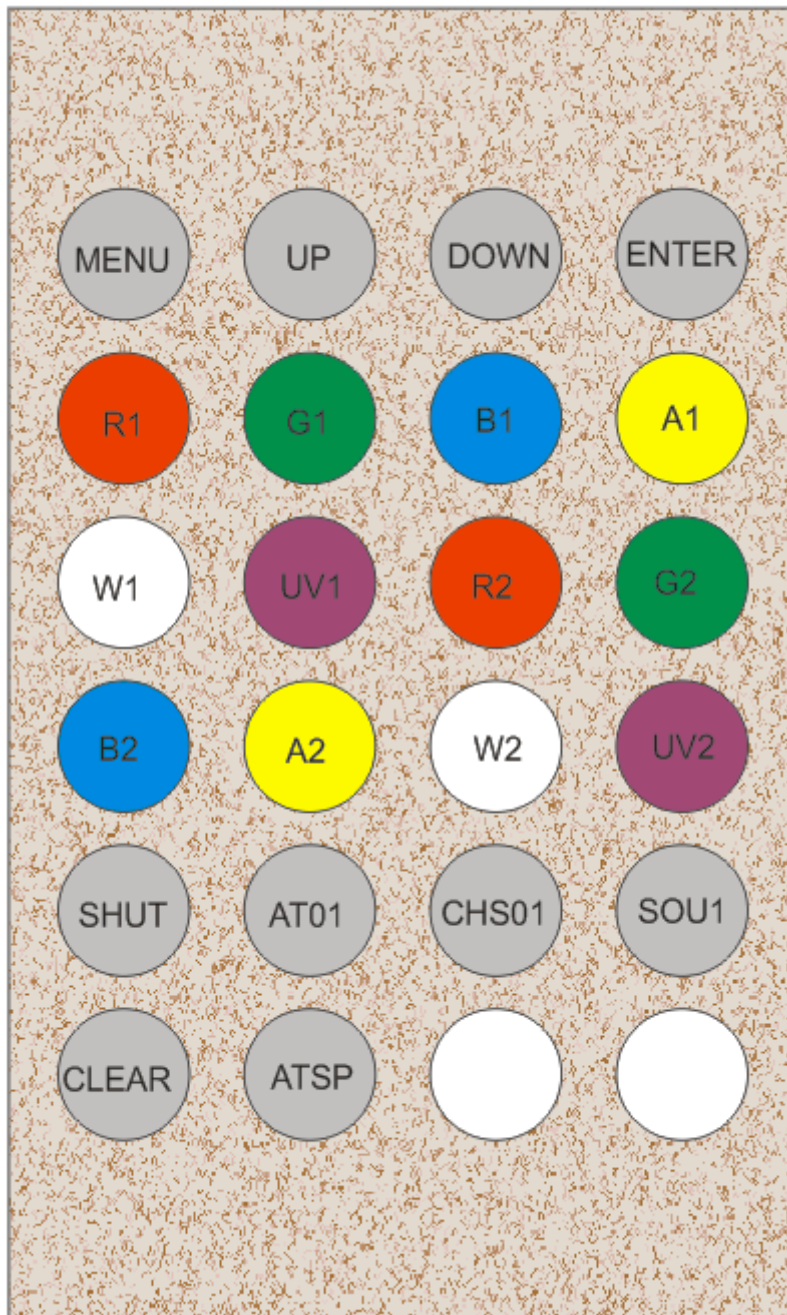
3. Changing color mode into the menu ;
 - 1) Go to the SET section then WIRE. Two option into the WIRE section (Reset and KEY).
 - 2) note,; Reset every time to change mode however the sub colors are available without resetting
 - 3) After reset use the Key and scroll with Enter to choose the colors. When selected press and hold Enter one second to confirm.

4. Green is receiving Sweden compatible mode. To reset on this mode simply hold ENTER on KEY menu for 3 seconds. This will delete the previous match when modifying install or transmitter. To synchronize again, press the button on the transmitter for new match. The indicator of the transmitter and fixture will flash at the same time. Control from DMX device gets active when the indicator stops blinking.

5. Blue mode is for transmitting Sweden compatible. As all transmitting function of this wireless module is not used, please ignore this function. Even when it's set as master it can not use wireless module to transmit DMX signals.

6. egg ,; Standard 2.4G China transmitter styx under RED will be compatible with the Lead Pak in Yellow mode and sub RED. Same if the Standard 2.4 China transmitter sticks are set to Green, set the Lead Pak into Yellow and sub Green. The WI-DMX will synchronize in the RED mode with the RED sub frequency.

8. Infrared keyboard operation



- 1) **【MENU】** , **【UP】** , **【DOWN】** , **【ENTER】** is same as the keys on the fixture.
- 2) **【R1】** ... **【W2】** , **【SHUT】** is shortcut for **【STAT】** .
- 3) **【AT01】** , **【CHS01】** , **【ATSP】** , **【SOU1】** is correspond to the position of **【AT01】** , **【CHS01】** , **【SOU1】** in the MENU.
- 4) **【CLEAR】** is clear the value of **【R1】** , **【G1】** ... **【SHUT】** then save and reset.

9. Operating Control Instruction

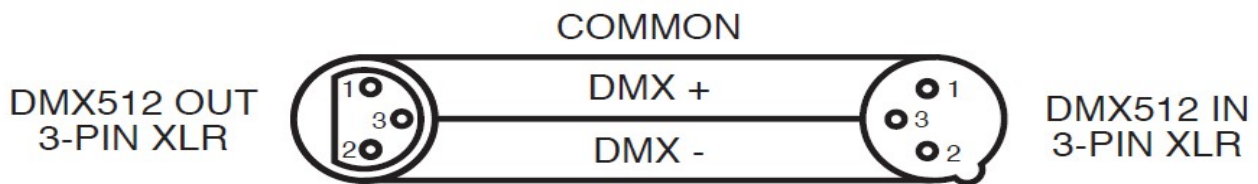
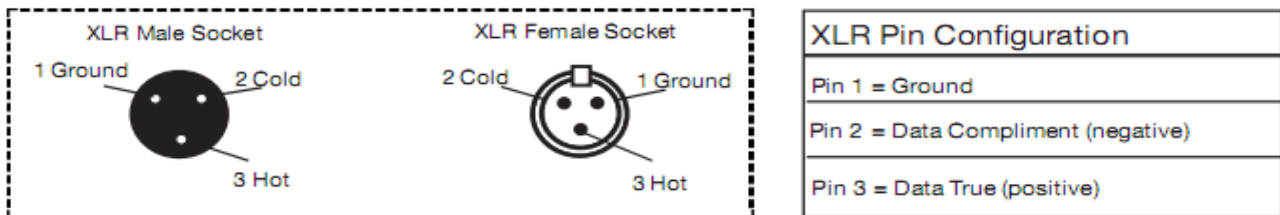
➤ Master/Slave

When the fixtures work in master mode it will send out the signal for the slave synchronous with it. To avoid the host signal and DMX512 signals interfere with each other, should cut off the DMX512 signals. The signal lines are longer than 60 meters (20 lamps), should increase a signal amplifier.

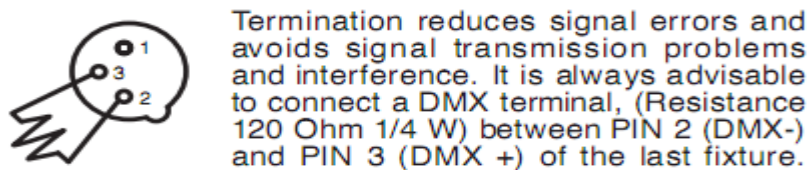
10. XLR cable connecting

➤ XLR cable:

The standard connection way of the XLR is: one end connects to the male plug, and the other connects to the female. As below: pin 1: ground, pin 2: negative signal, pin 3: positive signal



Noted : In order to avoid failures and interference signal transmission , we connect a resistance 120Ω ($1/4W$) at the end of the DMX connecting as below:



➤ The Conversion between 3 pin and 5 pin XLR

If the output cable of DMX512 controller is the 5PIN, please use 1pc 5PIN to 3PIN cable

3-Pin XLR to 5-Pin XLR Conversion		
Conductor	3-Pin XLR Female (Out)	5-Pin XLR Male (In)
Ground/Shield	Pin 1	Pin 1
Data Compliment (- signal)	Pin 2	Pin 2
Data True (+ signal)	Pin 3	Pin 3
Not Used		Do Not Use
Not Used		Do Not Use

11. Trouble Shooting

PROBLEM	REASON AND ACTION
The lighting can't be started normally	<ul style="list-style-type: none"> ➤ Check the power connection is correct or not. ➤ Please detect the voltage. ➤ Power supply is damaged or incorrect connected. Call a qualified personnel to fix it. ➤ Connection of control board is not correct. Call a qualified personnel to fix it.
Out of console's control	<ul style="list-style-type: none"> ➤ <input type="checkbox"/> Please check the DMX connector and the power connection is connected correctly or not. It means having signal if it shows twinkling of the decimal point which in the lower right corner of the screen when exiting the screen saver. ➤ Please check the DMX address setting of lighting is correct or not. ➤ Check 【CHMD】 setting is correct or not. ➤ Please check whether the DMX line is near to the high voltage wire or not. In that case, it will damage or interfere the DMX electric circuit.
The beam appears dim ,the brightness declines obviously	<ul style="list-style-type: none"> ➤ Check whether the 【CAL】 is started or not and the set value is too small. ➤ Check whether the 【POW】 is in over temperature protection situation or not, if yes, please take measures for ventilation.